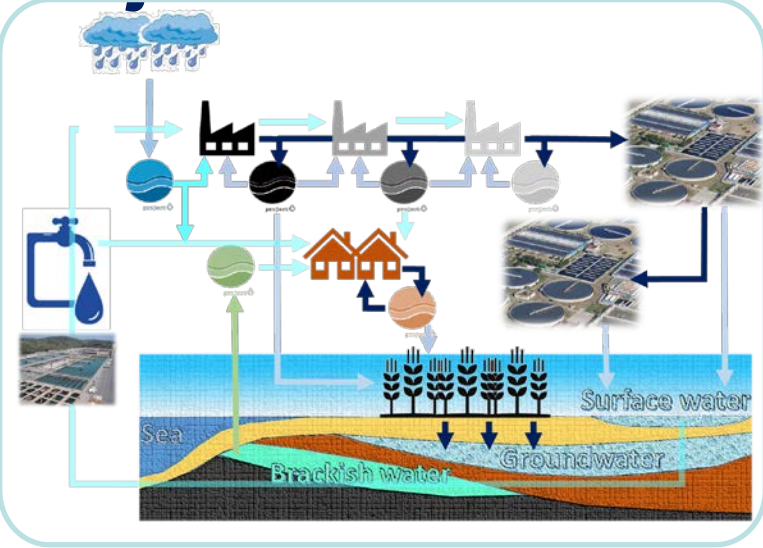


Project Ô

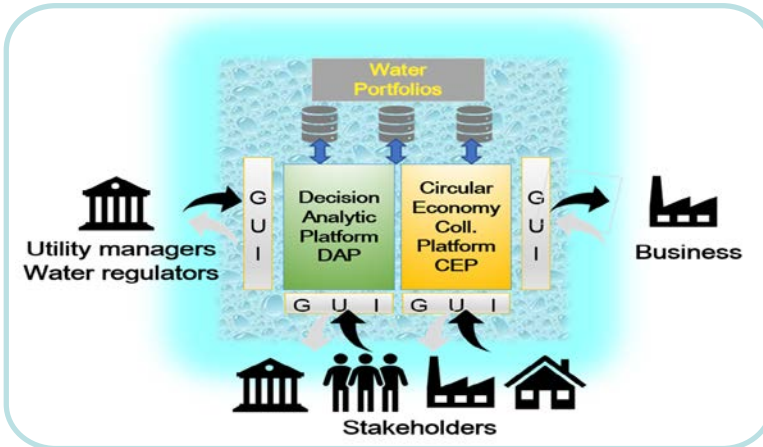
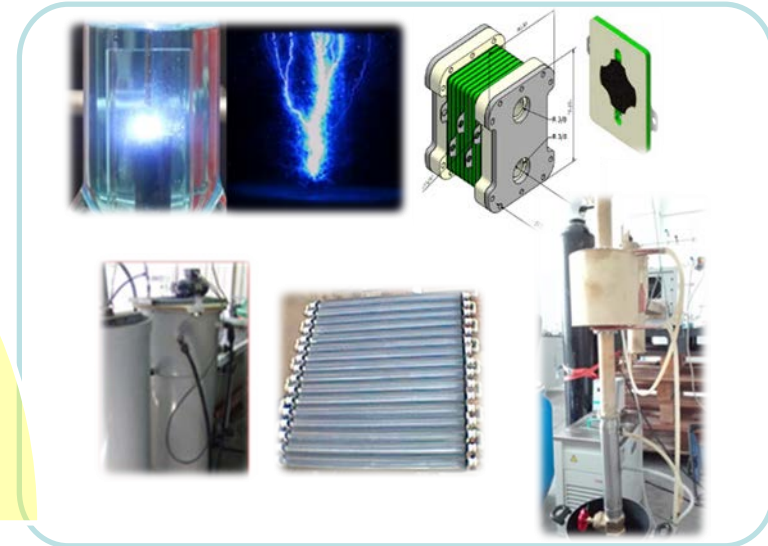


Project Ô: Water Value chains



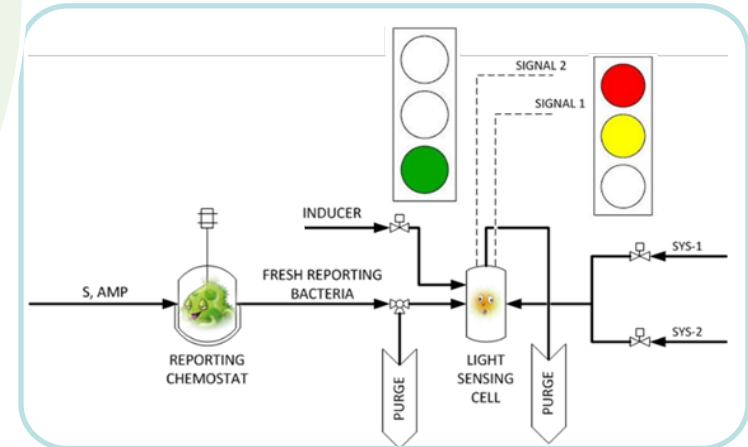
Water Reuse Scheme for SMEs and Municipalities

New water technologies Affordable and Energy Efficient



A Multi-stakeholder Collaborative platform

A Modular architecture with one smart control





Added value

➤ *Advantages:*

- ❖ water treated to the required spec instead of mains water (most often of drinking standard, so over-engineered); no dilution of pollutants so wastewater treatment more targeted and effective (low volumes) and opportunities for recovery of compounds (e.g. surfactants, chemicals from plants washing to be reused directly or used for other applications).
- ❖ Water utilities/"system" can concentrate on large volumes, mainly civil (waste)waters and approach spillages differently (not fines but paid service for dealing with pollution close to the source, before dilution)

➤ *Operational challenges:*

- ❖ balancing the needs of the system with the local needs; regulatory and standardisation changes required: dynamic tariffing, "true value" of water, standards for water reuse (e.g. in agriculture: different water qualities for different crops)